

0.60 CORODEK®

FOR CURVED APPLICATIONS



A Met-TECH™ GUIDE

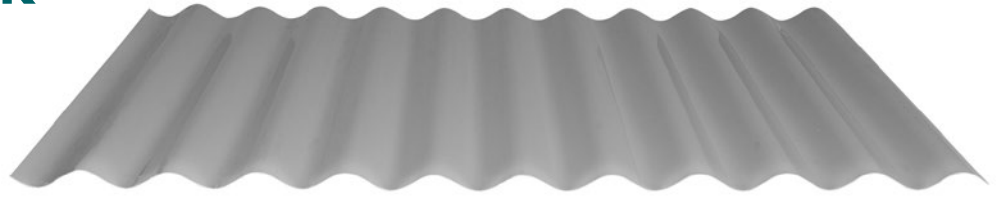
AUGUST 2020



Metroll®

BETTER SERVICE • BETTER BUILDING SOLUTIONS

0.60 CORODEK®



Cover: 762mm Height: 16mm

0.60 Corodek® is high tensile steel, corrugated roofing and wall sheeting manufactured from 0.60mm BMT COLORBOND® steel, ZINCALUME® steel and galvanised steel. G300 soft feed steel is used in 0.60 Corodek® to allow for curving and bending.

FEATURES & BENEFITS

- Variety of curving styles
- Ideal for Heritage styles
- Long lengths
- Wide range of COLORBOND® colours

0.60 CORODEK® - ROOFING

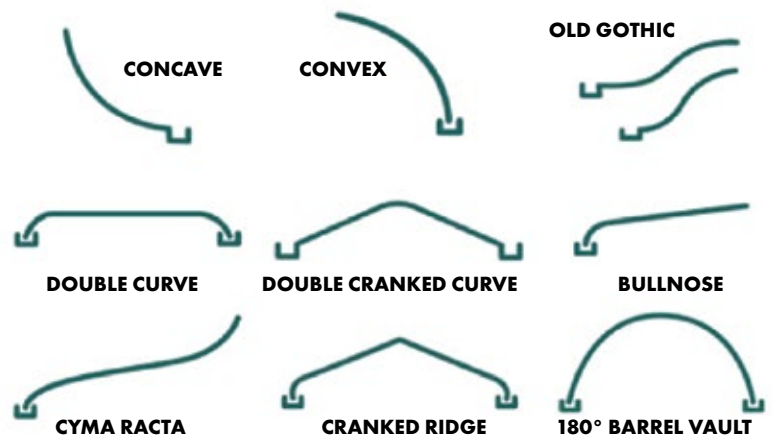
| BMT mm | Steel Base Mpa | Mass CB* kg/m ² | Mass Zinc kg/m ² | Min. Pitch° | Max Spans mm | |
|--------|----------------|----------------------------|-----------------------------|-------------|--------------|----------|
| | | | | | End | Internal |
| 0.60 | G300 | 6.09 | 6.02 | 5 (1 in 12) | 1600 | 1800 |

0.60 CORODEK® - WALLING

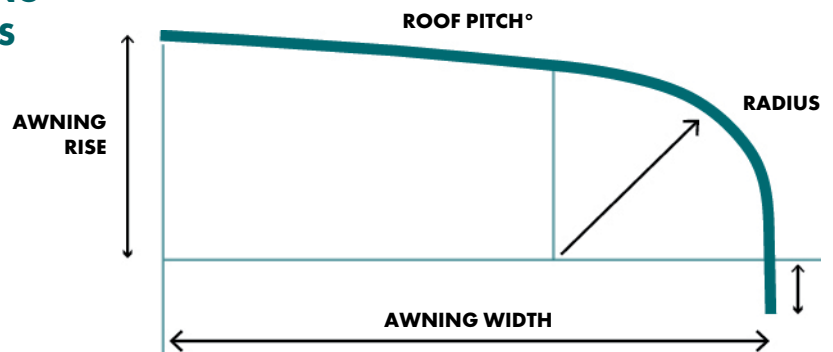
| | | | | | |
|------|------|------|------|------|------|
| 0.60 | G300 | 6.09 | 6.09 | 2200 | 2650 |
|------|------|------|------|------|------|

CB = Colorbond®

CURVING STYLES



CURVING DETAILS



Note: Metroll takes no responsibility for variances on sheets curved from drawings. A template should be supplied to ensure accuracy. The minimum recommended curving radius is 450mm.

What is Met-TECH™?

Met-TECH™ is Metroll's Technical Resource Centre. It is the one stop shop for all of Metroll's product and technical information. Perfect for builders, contractors and specifiers to source all the information they may require. You can find other Met-TECH™ items on our website

www.metroll.com.au/resources

FASTENERS

0.60 Corodek® may be fastened to timber or steel supports by conventional crest fixing. There should be 5 fixings per sheet at ends and end laps, and 3 fixings per sheet at intermediate supports. For severe exposure conditions, higher wind design pressures can be achieved by use of 5 fixings per sheet at intermediate supports. Always face side laps away from the prevailing weather.

Timber Supports

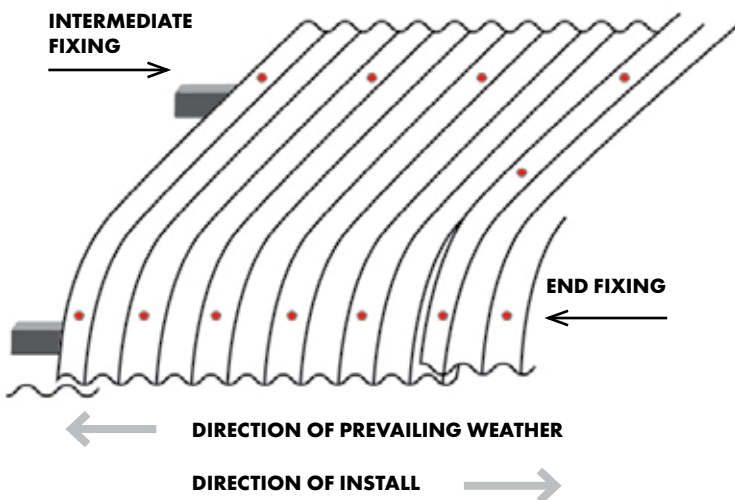
| | |
|----------------|---|
| Roofing | M6-11 x 50mm Roof Zips® Hex Head with seal |
| Walling | M6-11 x 25mm Roof Zips® Hex Head with seal (Valley Fix) |

Steel Supports 0.42mm to 1.5mm BMT

| | |
|----------------|---|
| Roofing | M6-11 x 50mm Roof Zips® Hex Head with seal |
| Walling | M6-11 x 25mm Roof Zips® Hex Head with seal (Valley Fix) |

Steel Supports 1.5mm to 4.5mm BMT

| | |
|----------------|--|
| Roofing | M5.5 x 39mm AutoTek® Hex Head with seal |
| Walling | 10-16 x 16mm Hex Head with seal (Valley Fix) |



SUPPORT SPACINGS & END LAPS

For typical bullnose verandahs in non-traffic applications, the maximum allowable span is 1800mm. Overlapping sheets need to be secured at mid span with either a heavy duty pop rivet or stitching screw. For roofs with end laps the minimum lap is 200mm for pitches between 5°-15° and 150mm for pitches above 15°. For walls allow maximum end laps of 100mm.

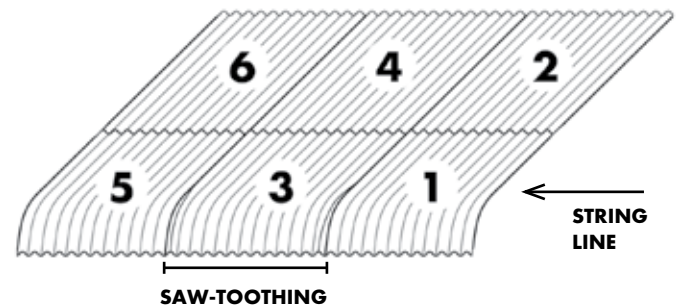
NOTE: To allow for successful end lapping, always ensure lapped sheets are the same profile, gauge and coating type.

INSTALLATION

Use a level to lay the first sheet of 0.60 Corodek®. To ensure overlaps are snug Metroll recommends using a rope with a hook. Position the overlap and place the hook over the far end of the sheet running the rope down the overlap towards the curved end. Apply a downward force to the end of the rope while tapping the sheet. A loop in the end of the rope can act as a stirrup for the fixer. Always measure every third or fourth sheet to check for squareness.

LAYING SEQUENCE

For projects that require lapping of 0.60 Corodek®, ensure the below sequence of sheet installation is followed. For end lapping of mixed BMT sheets, please contact your local Metroll branch.



SAW-TOOTHING

Saw-toothing occurs when curved steel sheets are overlapped. This is an inherent part of bullnosing and cannot be avoided. To ensure that the roof is running square it is essential that the saw-tooth at each sheet end are equal in measurement.

LENGTH

Metroll supplies 0.60 Corodek® cut to order as required; depending on load limit regulations set by local transport authorities. Lengths for manufacture and shape/radius of curves need to be site measurements and not taken off plans. Length tolerance for 0.60 Corodek® is ± 0 -15mm.

WALKING ON 0.60 CORODEK®

When walking on 0.60 Corodek® roof sheeting always wear flat rubber soled shoes and only walk over areas where purlins or batten supports are installed.

CARE, HANDLING & STORAGE

Care should be taken at all times when handling sheets to preserve the quality of the finish. Keep packs dry, stored clear of the ground and protected from rain and moisture. Any sheets which become wet should be separated, wiped and placed in the open air to dry.

CUTTING

Cut sheets with a method and in a location so that damage is avoided to sheets and other building products. Material should be cut on the ground and not above other materials. Remove all swarf and debris from the work and installation area. Sheets may be cut using a power saw with a steel cutting blade, a power nibbler or with tin snips. Avoid using abrasive discs as these can cause edge and coating damage.

MATERIAL SPECIFICATION & SCOPE

All roofing and walling should be specified on drawings as 0.60 Corodek®, manufactured by Metroll Pty Ltd and installed in accordance with the manufacturers recommendations. Base sheet steel is G550 / AZ150 with specified finish.

MATERIAL COMPATIBILITY

Never use lead flashings with 0.60 Corodek® sheeting made from COLORBOND® and ZINCALUME® steels. Avoid drainage from copper roofs onto COLORBOND®, ZINCALUME® or galvanised steel roofing or rainwater products. Lead, copper, bare metal and some chemically treated timbers are not compatible with 0.60 Corodek®.

ADVERSE CONDITIONS

Localised environmental conditions can impact the corrosive nature of a site which may impact on material choice. Conditions that may impact on material choice include; direction of prevailing winds, rainfall intensity, duration of exposure, temperature, shelter and areas not washed by rainfall. Contact your local Metroll branch if you intend to use 0.60 Corodek® within 1 km of industrial, chemical, marine or corrosive environments.

CLEAN UP

Prior to departing the work site remove all foreign debris, screws, rivets and especially any swarf created by drilling or cutting from the roof surface and/or inside gutters. Failure to do so may result in premature corrosion of the roof or gutters.

AVAILABILITY & DELIVERY

0.60 Corodek® is available from the national network of Metroll branches. Contact your local Metroll branch for lead times, colours and availability. Ensuring suitable arrangements are made to assist the unloading of Metroll trucks will help supply material in good order. When lifting long lengths by crane please ensure the load is evenly spread. Where a crane cannot be made available it is the customers responsibility to provide sufficient labour to assist the driver in unloading.

QLD

| | |
|----------------|--------------|
| Cairns | 07 4054 0888 |
| Townsville | 07 4779 8266 |
| Mackay | 07 4968 1255 |
| Rockhampton | 07 4920 0900 |
| Bundaberg | 07 4155 5999 |
| Toowoomba | 07 4634 6144 |
| Sunshine Coast | 07 5493 7872 |
| Brisbane | 07 3375 0100 |

NSW

| | |
|-------------|--------------|
| Lismore | 02 6622 6677 |
| Tamworth | 02 6765 4799 |
| Newcastle | 02 4954 5799 |
| Sydney | 1300 766 346 |
| Dubbo | 02 6883 4800 |
| Wagga Wagga | 02 5924 4500 |
| Canberra | 02 6298 2777 |

VIC

| | |
|----------|--------------|
| Preston | 03 9480 3744 |
| Laverton | 03 8369 8300 |
| Geelong | 03 5248 2006 |
| Ballarat | 03 5335 6416 |
| Pakenham | 03 8710 9300 |

TAS

| | |
|------------|--------------|
| Launceston | 03 6335 8555 |
|------------|--------------|

NT

| | |
|--------|--------------|
| Darwin | 08 8935 9555 |
|--------|--------------|

WA

| | |
|---------|--------------|
| Perth | 08 9365 5444 |
| Bunbury | 08 9796 9796 |
| Albany | 08 9841 6966 |

SA

| | |
|----------|--------------|
| Adelaide | 08 8282 3300 |
|----------|--------------|

26 Metroll Branches Nationwide

Visit our website
metroll.com.au



Metroll Pty Ltd. ABN 97 001 446 439. All reasonable care has been taken in the compilation of the information contained in this brochure. All recommendations on the use of Metroll products are made without guarantee as conditions of use are beyond the control of Metroll Pty Ltd. It is the customers responsibility to ensure that the product is fit for its intended purpose and that the actual conditions of use are suitable. Metroll Pty Ltd. pursues a policy of continuous development and reserves the right to amend specifications without prior notice. The Metroll M and Logo are registered trademarks of Metroll Pty Ltd. COLORBOND®, ZINCALUME®, GALVASPAN® steels are all registered trademarks of BlueScope Steel Limited.