

METLOK 700[®]

DESIGN & INSTALLATION GUIDE

CONCEALED FIX ROOF SYSTEM



A Met-TECH[™] GUIDE

MARCH 2021

METLOK 700®



Cover: 700mm Height: 40mm

Metlok 700® is a concealed fix roof system designed for long run roofing applications. It can also be used for walling. Metlok 700® is manufactured in a continuous roll form method from 0.42mm and 0.48mm BMT COLORBOND® steel, ZINCALUME® steel and galvanised steel. Metlok 700® is suitable for use in commercial and industrial applications for roof pitches as low as 1° (1 in 50).

FEATURES & BENEFITS

- Concealed fix
- Ideal for long runs
- Low pitch
- Designed for thermal expansion and contraction
- Easy clip install

METLOK 700® - ROOFING

BMT mm	Steel Base Mpa	Mass CB * kg/m ²	Mass Zinc kg/m ²	Min. Pitch°	Max Spans mm	
					End	Internal
0.42	G550	4.74	4.66	1° (1 in 50)	1800	2200
0.48	G550	5.37	5.23	1° (1 in 50)	2200	2800

METLOK 700® - WALLING

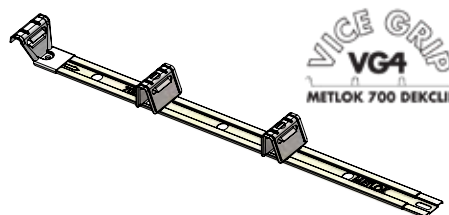
0.42	G550	4.74	4.66	2200	2200
0.48	G550	5.37	5.23	2400	2700

*CB = Colorbond®

** Max. Spans are based on N2 Wind Category and 1.5mm substrate

CLIPS & FASTENERS

Metlok 700® sheeting is fixed to supports by Metlok 700® Dekclips. Always face side laps away from the prevailing weather.



TIMBER SUPPORTS - HARD OR SOFT

ROOFING & WALLING #12 Hex Head Type 17 x 25mm. Add 10mm for softwood.

STEEL SUPPORTS <1.5mm thick

ROOFING & WALLING #12 Hex Head Zip Screws x 25mm

STEEL SUPPORTS >1.5mm thick

ROOFING & WALLING #12 Hex Head Self Drilling Screws x 25mm

NOTE: These fasteners do not make allowance for insulation blanket. In all cases it is important the screw head diameter does not exceed 11.5mm. Self drilling and tapping screws must comply with AS 3566.

What is Met-TECH™?

Met-TECH™ is Metroll's Technical Resource Centre. It is the one stop shop for all of Metroll's product and technical information. Perfect for builders, contractors and specifiers to source all the information they may require. You can find other Met-TECH™ items on our website www.metroll.com.au/resources

SPRING CURVING

BMT mm	CONCAVE		CONVEX		
	Min. Radius	Max. Support Spacing	Min. Radius	Max. Support Spacing	Max. Radius for Drainage
0.42	90m	1200mm	90m	1200mm	220m
0.48	70m	1200mm	70m	1200mm	220m

DRAINAGE & OVERFLOW

Maximum Roof Run (m) for Slopes & Rainfall Intensity

Rainfall Intensity mm/hr	Metlok 700® Roof Slope					
	1 in 50 1°	1 in 30 2°	1 in 20 3°	1 in 12 5°	1 in 7.5 7.5°	1 in 6 10°
100	241	303	352	432	514	586
150	161	202	235	288	343	390
200	120	151	176	216	257	293
250	96	121	141	173	206	234
300	80	101	117	144	171	195
400	60	76	88	108	129	146

- Rainwater run-off and drainage capacity may place some limitations on the total length of a sheet run and must be considered during the design and construction phase of a project.
- The total length of roof sheeting; which shall include end laps, expansion joints or steps and draining the roof in one direction, shall be considered as a single roof run.
- Thermal expansion must also be considered.
- Maximum production and transport lengths may limit availability.

LENGTH

Metroll supplies Metlok 700® cut to order as required; depending on load limit regulations set by local transport authorities. Lengths for manufacture need to be site measurements and not taken off plans. Sheet length is obtained by measuring the distance from the ridges to the external edges or fascia and adding a minimum of 50mm for overhang into the gutter.

To prevent damage when lifting long lengths, ensure sheets are lifted with the use of multiple lift point spreader bars.

CLEAN UP

Prior to departing the work site remove all foreign debris, screws, rivets and especially any swarf created by drilling or cutting from the roof surface and/or inside gutters. Failure to do so may result in premature corrosion.

CUTTING

Cut sheets with a method and in a location so that damage is avoided to sheets and other building products. Material should be cut on the ground and not above other materials. Remove all swarf and debris from the work and installation area. Sheets may be cut using a power saw with a steel cutting blade, a power nibbler or with tin snips. Avoid using abrasive discs as these can cause edge and coating damage.

MATERIAL COMPATIBILITY

Never use lead flashings with Metlok 700® sheeting made from COLORBOND® and ZINCALUME® steels. Avoid drainage from copper roofs onto COLORBOND®, ZINCALUME® or galvanised steel roofing or rainwater products. Lead, copper, bare metal and some chemically treated timbers are not compatible with Metlok 700®.

ADVERSE CONDITIONS

Localised environmental conditions can impact the corrosive nature of a site which may impact on material choice. Conditions that may impact on material choice include; direction of prevailing winds, rainfall intensity, duration of exposure, temperature, shelter and areas not washed by rainfall. Contact your local Metroll branch if you intend to use Metlok 700® within 1 km of industrial, chemical, marine or corrosive environments.

MATERIAL SPECIFICATION & SCOPE

All roofing and walling should be specified on drawings as Metlok 700®, manufactured by Metroll and installed in accordance with the manufacturers recommendations. Base sheet steel is G550

AVAILABILITY & DELIVERY

Metlok 700® is available nationwide. Contact your local Metroll branch for lead times, colours and availability.

Ensuring suitable arrangements are made to assist the unloading of Metroll trucks will help supply material in good order. When lifting long lengths by crane please ensure the load is evenly spread. Where a crane cannot be made available it is the customers responsibility to provide sufficient labour to assist the driver in unloading.

METLOK 700® FOOT TRAFFIC

BMT (mm)	Internal Span (mm)	End Span (mm)
0.42	2200	1800
0.48	2800	2200

NOTE

- Foot traffic limits are based on AS/NZS 1170.1 for R2 - Other roofs.
- All traffic must use the designated foot traffic paths and, at all times, follow safe practices.

WALKING ON METLOK 700®

When walking on Metlok 700® roof sheeting always wear flat rubber soled shoes and only walk over areas where purlins or batten supports are installed. Walk in either pan next to lapped edge ribs.

TOLERANCES

Consideration should be given to the following manufacturing tolerances:

Length ± 15mm

THERMAL EXPANSION

Change in temperature will cause all metals to expand and contract. There is minimal effect with steel roofing and walling, however care must be taken when long sheet runs and used and high temperature variations occur.

CARE, HANDLING & STORAGE

Care should be taken at all times when handling sheets to preserve the quality of the finish. Keep packs dry, stored clear of the ground and protected from rain and moisture. Any sheets which become wet should be separated, wiped and placed in the open air to dry.

MAINTENANCE

Exterior surfaces not washed by rainfall should be washed on a regular basis.

CYCLONIC AREAS

The information contained in this publication is suitable for non-cyclonic areas only.

STOP ENDS & LIPS - PITCH BELOW 15°

Turn the pans at the top of the sheets up 90° using a turn-up tool to prevent wind driven water entry.

Turn the pans at the bottom of the sheets down 30° using a turn-down tool to prevent water running back along the underside of the sheet.

ROOF PITCH & FLASHINGS

For roofs with continuous sheets and the minimum roof pitch is 1° (1 in 50). This minimum pitch must be adhered to and all points of the roof to prevent ponding. Allow a minimum of 50mm for projection into gutters.

Flashings must be of a compatible material and 150mm minimum cover.

REFERENCED AUSTRALIAN STANDARDS

AS/NZS 1170.2	SAA Loading Codes - Wind Loads
AS 1397	Sheet & Strip Hot-Dipped Zinc Coated or Aluminium/Zinc Coated
AS 1526	One Part Polysulphide-based Sealing Compounds for the Building Industry
AS 1562.1	Design & Installation of Sheet & Wall Cladding, Part 1: Metal
AS/NZS 2179	Specifications for Rainwater Goods, Accessories & Fasteners - Metal Shape or Sheet Rainwater Goods and Metal Accessories and Fasteners
AS/NZS 2728	Prefinished/Prepainted Sheet Metal Products for Interior/Exterior Building Applications - Performance Requirements
AS 3566	Self-drilling Screws for the Building & Construction Industries

0.42mm & 0.48mm METLOK 700® LIMIT STATE CAPACITY TABLES

Tables and values must be used in conjunction with the Design Notes to Limit State Capacity Tables

0.42mm METLOK 700® WITH 3 FASTENERS/SHEET/BATTEN

LIMIT STATE	SPAN TYPE	SUPPORT THICKNESS (mm)	PRESSURE (kPa) FOR SPAN (mm)				
			900	1200	1500	1800	2100
SERVICEABILITY	Internal	All	2.95	2.63	2.31	2.04	1.77
	End	All	2.91	2.58	2.36	1.98	1.55
STRENGTH	Internal	1.50+	7.40	5.02	4.00	3.50	3.00
		1.20	6.67	5.00	4.00	3.33	2.86
		1.00	6.19	4.64	3.71	3.10	2.65
		0.75	5.24	3.93	3.14	2.62	2.25
		0.55	3.57	2.68	2.14	1.79	1.53
		0.48	3.10	2.32	1.86	1.55	1.33
	End	1.50+	5.38	3.82	3.05	2.55	2.18
		1.20	5.38	3.82	3.05	2.55	2.18
		1.00	5.38	3.82	3.05	2.55	2.18
		0.75	4.76	3.57	2.86	2.38	2.04
		0.55	3.25	2.44	1.95	1.62	1.39
		0.48	2.81	2.11	1.69	1.41	1.21

0.48mm METLOK 700® WITH 3 FASTENERS/SHEET/BATTEN

LIMIT STATE	SPAN TYPE	SUPPORT THICKNESS (mm)	PRESSURE (kPa) FOR SPAN (mm)						
			900	1200	1500	1800	2100	2400	2700
SERVICEABILITY	Internal	All	3.25	2.90	2.56	2.23	2.02	1.91	1.74
	End	All	3.25	2.86	2.36	1.95	1.67	1.35	1.28
STRENGTH	Internal	1.50+	9.55	7.15	5.73	4.78	3.34	2.27	1.43
		1.20	6.67	5.00	4.00	3.33	2.86	2.27	1.43
		1.00	6.19	4.64	3.71	3.10	2.65	2.27	1.43
		0.75	5.24	3.93	3.14	2.62	2.25	1.96	1.43
		0.55	3.57	2.68	2.14	1.79	1.53	1.34	1.19
		0.48	3.10	2.32	1.86	1.55	1.33	1.16	1.03
	End	1.50+	7.27	5.24	4.20	3.52	2.48	1.68	1.05
		1.20	6.06	4.55	3.64	3.03	2.48	1.68	1.05
		1.00	5.63	4.22	3.38	2.81	2.41	1.68	1.05
		0.75	4.76	3.57	2.86	2.38	2.04	1.68	1.05
		0.55	3.35	2.44	1.95	1.62	1.39	1.22	1.05
		0.48	2.81	2.11	1.69	1.41	1.21	1.06	0.94

DESIGN NOTES

- For timber battens/purlins, use 1.50+ support thickness values.
- Type 17 screws must penetrate more than 25mm into hardwood or 35mm into softwood.
- Metal supports are produced from hi-tensile steel.
- For most economic results use longer internal spans than end spans (in a ratio of 10:8).
- Equal span systems must be designed using end span values.

0.42mm & 0.48mm METLOK 700® SPAN CHART

Tables and values must be used in conjunction with the Design Notes to Limit State Capacity Tables

0.42mm METLOK 700®

FASTENER FREQUENCY	SPAN TYPE	SUPPORT THICKNESS (mm)	ROOF SPANS (mm) FOR WIND CATEGORY						WALL SPANS (mm) FOR WIND CATEGORY					
			N1	N2	N3	N4	N5	N6	N1	N2	N3	N4	N5	N6
3+ clips per sheet	Internal	1.50+	2200	2200	2200	1450	1050		2200	2200	2200	2200	1350	1050
		1.20	2200	2200	2200	1450	1000		2200	2200	2200	2000	1350	1000
		1.00	2200	2200	2050	1400	950		2200	2200	2200	1850	1250	900
		0.75	2200	2200	1750	1150	800		2200	2200	2200	1550	1050	800
		0.55	2200	1850	1150	800			2200	2200	1550	1050		
		0.48	2200	1600	1050				2200	2100	1350	900		
	End	1.50+	1750	1750	1700	1150	800		2200	2200	2200	1500	1050	800
		1.20	1750	1750	1700	1150	800		2200	2200	2200	1500	1050	800
		1.00	1750	1750	1600	1100			2200	2200	2150	1450	1000	
		0.75	1750	1750	1400	900			2200	2200	1800	1200	800	
		0.55	1750	1450	900				2200	1950	1200	800		
		0.48	1750	1250	800				2200	1650	1050			

0.48mm METLOK 700®

FASTENER FREQUENCY	SPAN TYPE	SUPPORT THICKNESS (mm)	ROOF SPANS (mm) FOR WIND CATEGORY						WALL SPANS (mm) FOR WIND CATEGORY					
			N1	N2	N3	N4	N5	N6	N1	N2	N3	N4	N5	N6
3+ clips per sheet	Internal	1.50+	2700	2550	2250	1950	1450	1000	2700	2700	2450	2150	1850	1400
		1.20	2700	2550	2150	1450	1000		2700	2700	2450	2000	1350	1000
		1.00	2700	2550	2050	1400	950		2700	2700	2450	1850	1250	900
		0.75	2700	2500	1750	1150	800		2700	2700	2300	1550	1050	800
		0.55	2550	1850	1150	800			2700	2450	1550	1050		
		0.48	2200	1600	1050				2700	2100	1350	900		
	End	1.50+	2200	2000	1800	1550	1100	800	2550	2400	2100	1700	1400	1050
		1.20	2150	2000	1700	1150	800		2550	2400	2100	1600	1050	800
		1.00	2150	2000	1600	1100			2550	2400	2100	1550	1000	
		0.75	2150	2000	1400	900			2550	2400	2100	1200	800	
		0.55	2000	1450	900				2550	2300	1350	800		
		0.48	1750	1250	800				2400	2050	1200			

DESIGN NOTES

- Spans shown reflect the minimum value of the Serviceability, Strength and Foot Traffic tables.
- The Wind Category is based on AS 4055 and results include an allowance for local pressure factors.
- If roof pitch is less than 10 degrees, then increase the Wind Category upwards by 1, and apply to an area not less than 1.2m from all corners.
- For timber battens/purlins use 1.5+ support thickness values.
- Metal supports are produced from hi-tensile steel.
- For most economic results use longer internal spans than end spans (in a ratio of 10:8).
- Equal span systems must be designed using end span values.

METLOK 700® INSTALLATION

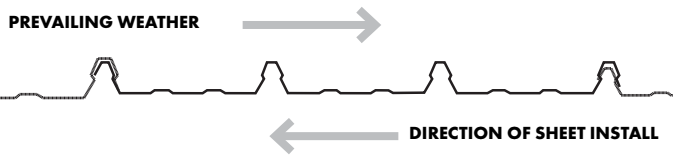
BEFORE COMMENCING INSTALLATION

Ensure cladding support is in the same plane. Ensure sheet overhang does not exceed recommendations. Check roof pitch is within minimum recommendations. For maximum hold, check first and last supports and clips are at least 75mm from the end of the sheet. Ensure set out is correct to avoid complicated post-install rectification.

SHEET PLACEMENT PRIOR TO INSTALL

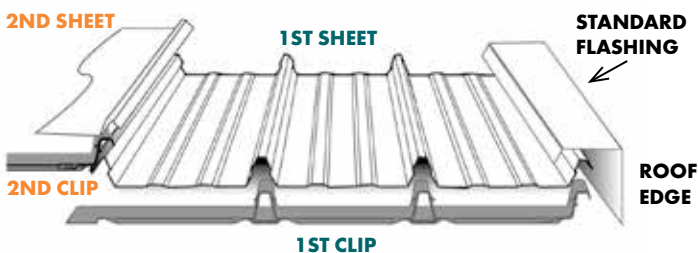
Determine prevailing wind and weather direction for maximum weather tightness. Identify downward direction and start install from that end.

Turn sheets on the ground rather than on the roof, this is easier and safer. Before lifting ensure sheets are the correct way up and the overlapping side is facing the edge of the roof where installation will commence. Position sheet bundles over firm supports, not at mid span of roof members.

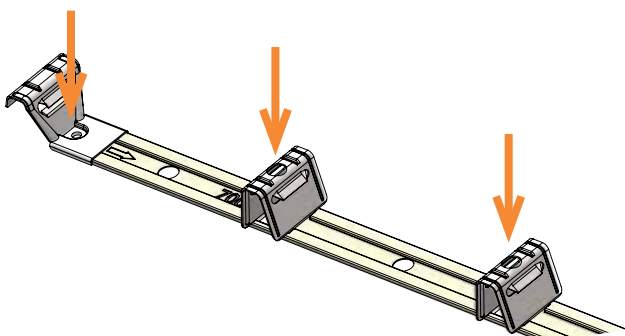


INSTALLATION STEPS

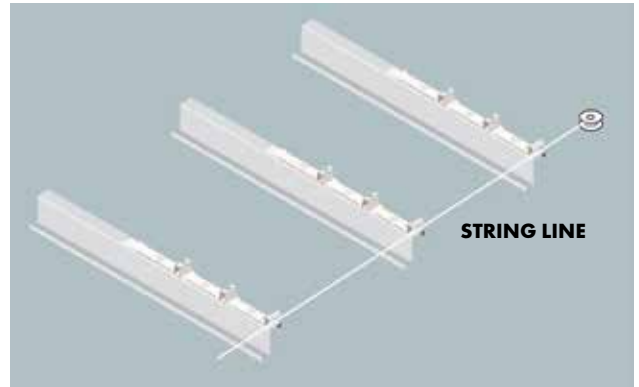
1. Install safety wire and insulation as per manufacturers recommendations.
2. Position the first Metlok Dekclip by fixing to the support member nearest the roof edge.



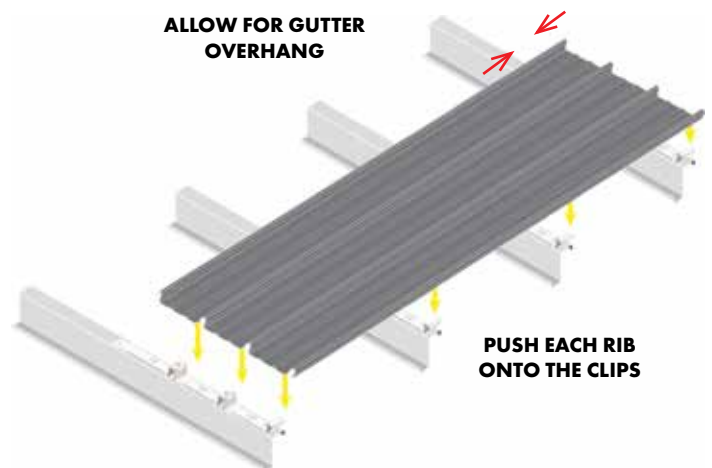
3. Fix the clip as indicated. Ensure the clip is 90° to the edge of the sheet and facing the direction required for laying.



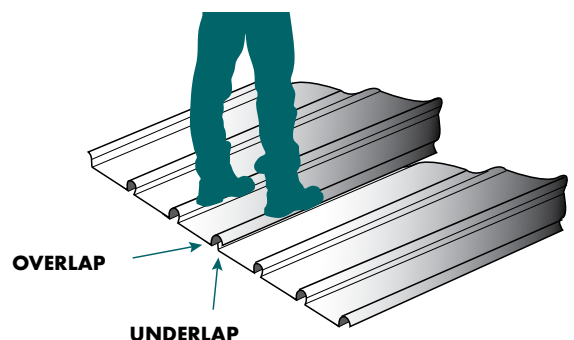
4. Using a string line align the clips using the first sheet as a straight edge. Fix a clip to each support member working towards the high end of the roof.



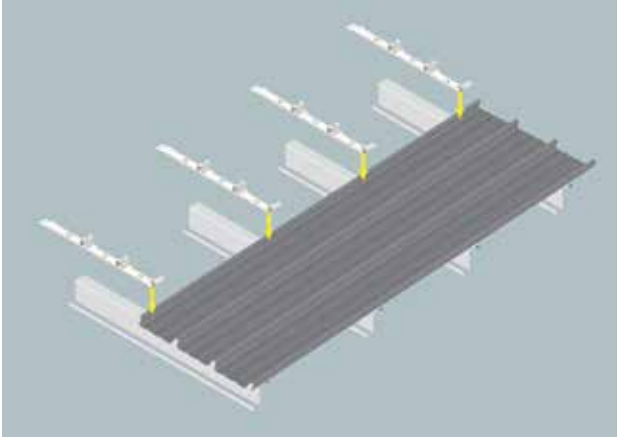
5. In accordance with the manufacturers recommendations, fix the Hex-head fasteners through the top of the clip into the support member.
6. Continue to work along the roof edge ensuring correct alignment at its ends relative to the gutter and ridge, (parapet or transverse wall).
7. Measure the distance from the gutter end of the sheet to the support.
8. The first sheet must be placed square to adjacent edges. Position the first sheet so it overhangs the desired amount (normally 50mm) into the gutter.



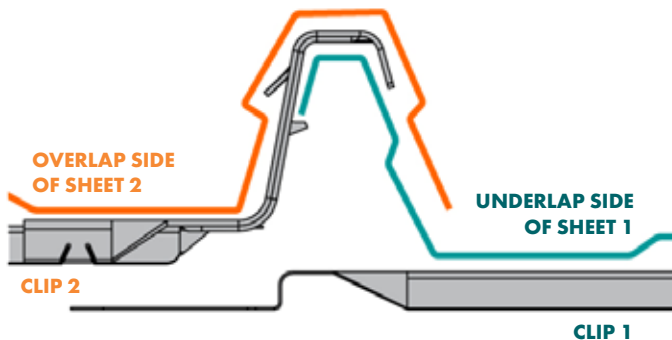
9. Secure the sheet by applying foot pressure on all ribs over each clip.



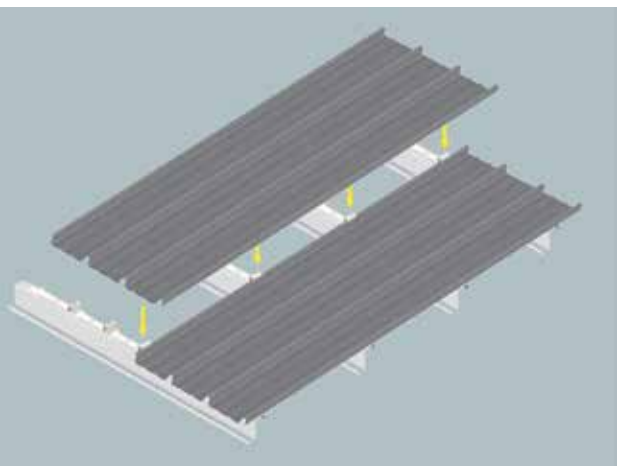
- Fix the next row of clips to the support members by engaging the front of the clip assembly onto the sheet underlap of the preceding sheet. Ensure the clip is 90° to the edge of the sheet. Second and all following clips are installed with the clip placed over the top of the underlap of the previous sheet.



CLOSE UP OF METLOK 700® SHEET & CLIP LAP



- Position the next sheet taking care to ensure it positively engages the full length of the edge of the preceding sheet.



- Engage all clips and sheets as per Steps 9 - 11.
- If the final space is less than a full sheet width, the sheet can be cut and clips shortened as required.

ALIGNMENT CHECK DURING INSTALL

From time to time check that sheets continue to be parallel with the first sheet. This is done by taking two measurements across the width of one fixed sheet. Approximately half way through the job, perform a similar check from the finishing line.

INSTALLATION FOR WALL APPLICATIONS

The procedure for walls is similar to roof installation. Sheets can be prevented from sliding downwards by pierce fixing through each sheet beneath the flashing or canopy along the top of the sheets.

INSTALLATION OF METLOK 700® TRANSLUCENT SHEETS

Translucent sheeting experiences greater thermal expansion. As a consequence cladding should be fixed using oversized holes and sealing washers. Refer to fastener manufacturer for detail. When translucent sheeting is used in conjunction with concealed fixed cladding, ensure the fasteners do not penetrate the steel cladding. Do not exceed maximum span/support distances specified by the translucent sheeting manufacturer.

26 Metroll Branches Nationwide

All reasonable care has been taken in the compilation of the information contained in this brochure. All recommendations on the use of Metroll products are made without guarantee as conditions of use are beyond the control of Metroll. It is the customers responsibility to ensure that the product is fit for its intended purpose and that the actual conditions of use are suitable. Metroll pursues a policy of continuous development and reserves the right to amend specifications without prior notice. The Metroll M and Logo are registered trademarks of Metroll. COLORBOND®, ZINCALUME®, GALVASPAN® steels are all registered trademarks of BlueScope Steel Limited.

M700_MAR21r

Visit our website

metroll.com.au

