

STEEL WALL FRAMING

STEEL BUILDING FRAME COMPONENTS



A Met-TECH™ GUIDE

SEPTEMBER 2020

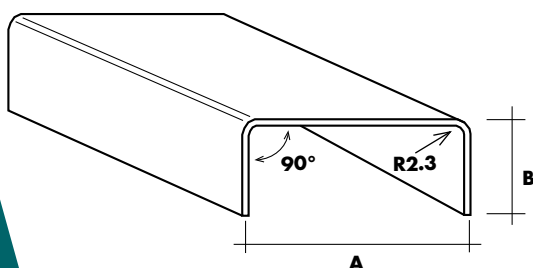


Metroll®

BETTER SERVICE • BETTER BUILDING SOLUTIONS

STEEL WALL FRAMING

Metroll manufacture a range of G500, AM150 Truecore® steel and G500, Z275 Zinalume® steel wall framing sections which may be used alone or in combination with other building materials. These products are suitable for framing in a variety of buildings such as houses, small commercial buildings as well as in partitions and façades.



FEATURES & BENEFITS

- Design freedom
- Compatible with other building materials
- Long Life & High Strength
- Fire Resistant
- Straight & True - won't twist or warp
- Conforms with AS 1397-1977 & AS/NZS 4600

STUD FRAMING

SECTION	DIMENSIONS mm		BMT mm
	A	B	
Standard Plate	77	34	1.15
Standard Stud	75	35	1.15
Standard Noggin	72	36	1.15

Tolerance ± 1 mm

75 x 35 x 1.15 STUD CENTRES (MM)

STUD HEIGHT	NO. OF NOGGINS	N1	N2	N3	N4	C1	C2	C3
2450	0	600	430	280	180	190	130	90
	1	600	600	600	480	500	340	230
2750	0	410	300	190	130	130	90	60
	1	600	600	480	320	340	220	150
	2	600	600	600	490	510	340	230
3000	0	310	220	140	90	100	70	40
	1	600	560	350	240	250	170	110
	2	600	600	580	390	410	270	180
	3	600	600	600	450	470	320	210
3300	0	230	160	100	70	70	50	NS
	1	560	400	260	170	180	120	80
	2	600	600	440	300	310	210	140
	3	600	600	450	360	380	250	170
3600	0	170	120	80	50	50	NS	NS
	1	410	300	190	130	130	90	60
	2	600	530	340	230	240	160	110
	3	600	600	430	290	300	200	130

NOTES

1. Noggins to be evenly spaced.
2. Trusses located within 50mm of stud.
3. Truss reaction maximum of 15% of stud compression capacity (ϕN_s).
4. Table for external load bearing walls.

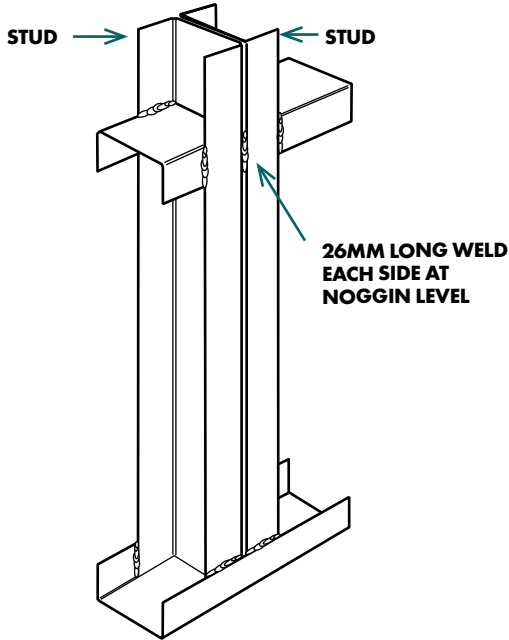
What is Met-TECH™?

Met-TECH™ is Metroll's Technical Resource Centre. It is the one stop shop for all of Metroll's product and technical information. Perfect for builders, contractors and specifiers to source all the information they may require. You can find other Met-TECH™ items on our website

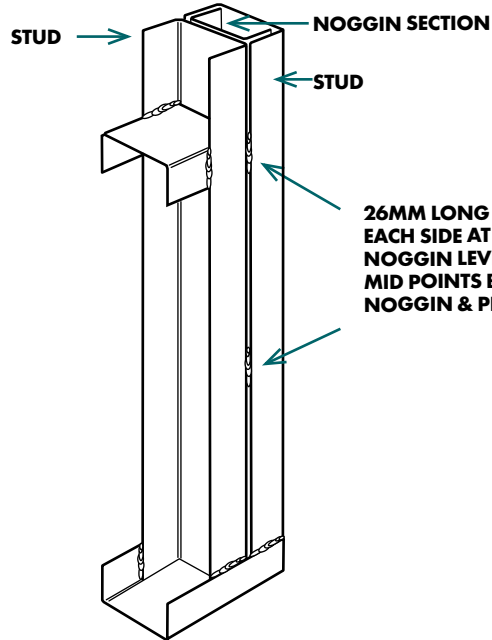
www.metroll.com.au/resources

MULTIPLE STUD ARRANGEMENTS

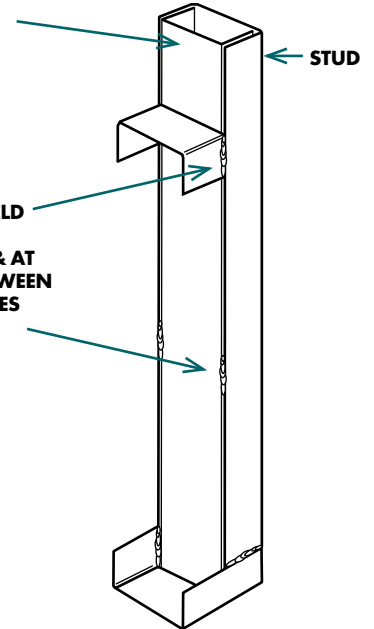
**2 STUDS
BACK TO BACK
NOGGIN EACH SIDE**



**3 STUDS
COMBINATION
ADJACENT TO OPENING**

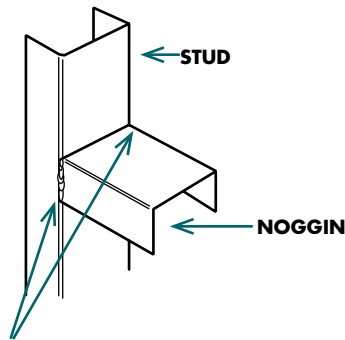


**2 STUDS
BOXED
ADJACENT TO OPENING**

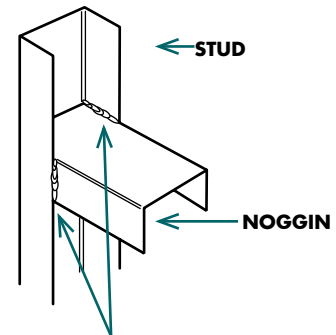


NOGGIN FIXING

WELDED FRAMES

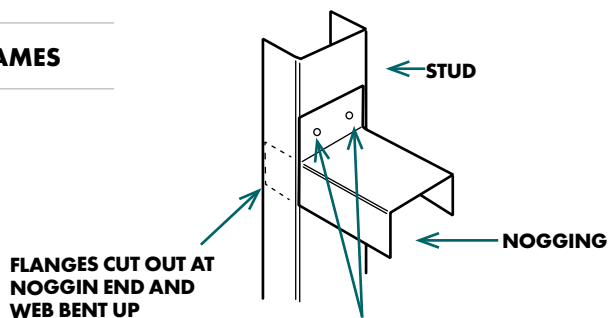


2 x FILLET WELDS 12MM MIN. LENGTH.
MAY BE INSIDE OR OUTSIDE
NOGGIN CHANNEL

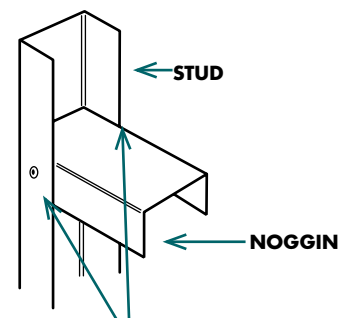


12MM MIN. LENGTH
WELDS IN TWO PLACES

NON-WELDED FRAMES



2 x 4.8MM DIA. STEEL
BLIND RIVETS OR NO.10
SELF-TAPPING SCREWS



2 x 4.8MM DIA. STEEL BLIND
RIVETS OR NO.10 WAFFER HEAD
SELF-TAPPING SCREWS. ONE IN
EACH STUD FLANGE.

Can we assist with any additional
Steel Building Products?



QLD

Cairns 07 4054 0888
Townsville 07 4779 8266
Mackay 07 4968 1255
Rockhampton 07 4920 0900
Bundaberg 07 4155 5999
Toowoomba 07 4634 6144
Sunshine Coast 07 5493 7872
Brisbane 07 3375 0100

NSW

Lismore 02 6622 6677
Tamworth 02 6765 4799
Newcastle 02 4954 5799
Sydney 1300 766 346
Dubbo 02 6883 4800
Wagga Wagga 02 5924 4500
Canberra 02 6298 2777

VIC

Preston 03 9480 3744
Laverton 03 8369 8300
Geelong 03 5248 2006
Ballarat 03 5335 6416
Pakenham 03 8710 9300

SA

Adelaide 08 8282 3300

TAS

Launceston 03 6335 8555

NT

Darwin 08 8935 9555

WA

Perth 08 9365 5444
Bunbury 08 9796 9796
Albany 08 9841 6966

26 Metroll Branches Nationwide

Visit our website
metroll.com.au



All reasonable care has been taken in the compilation of the information contained in this brochure. All recommendations on the use of Metroll products are made without guarantee as conditions of use are beyond the control of Metroll. It is the customers responsibility to ensure that the product is fit for its intended purpose and that the actual conditions of use are suitable. Metroll pursues a policy of continuous development and reserves the right to amend specifications without prior notice. The Metroll M and Logo are registered trademarks of Metroll. COLORBOND®, ZINCALUME®, GALVSPAN® steels are all registered trademarks of BlueScope Steel Limited.