

STEEL WALL FRAMING

STEEL BUILDING FRAME COMPONENTS



A Met-TECH™ GUIDE

DECEMBER 2018

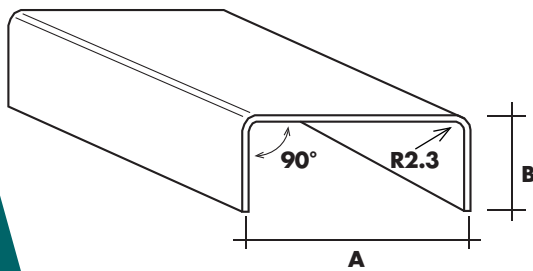
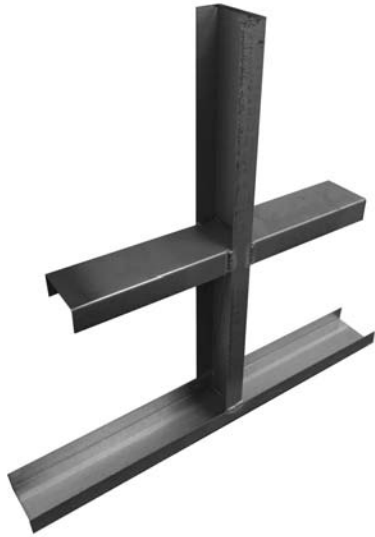


Metroll®

BETTER SERVICE • BETTER BUILDING SOLUTIONS

STEEL WALL FRAMING

Metroll manufacture a range of G500, AM150 Truecore® and G500, Z275 Zinalume® steel wall framing sections which may be used alone or in combination with other building materials. These products are suitable for framing in a variety of buildings such as houses, small commercial buildings as well as in partitions and facades.



FEATURES & BENEFITS

- Design freedom
- Compatible with other building materials
- Long Life & High Strength
- Fire resistant
- Straight & True - won't twist or warp
- Conforms with AS 1397-1977 & AS/NZS 4600

STUD FRAMING

SECTION	DIMENSIONS mm		BMT mm
	A	B	
Standard Plate	77	34	1.15
Standard Stud	75	35	1.15
Standard Nogging	72	36	1.15

Tolerance ± 1mm

75 x 35 x 1.15 STUD CENTRES (MM)

STUD HEIGHT	NO. OF NOGGINGS	N1	N2	N3	N4	C1	C2	C3
2450	0	600	430	280	180	190	130	90
	1	600	600	600	480	500	340	230
2750	0	410	300	190	130	130	90	60
	1	600	600	480	320	340	220	150
	2	600	600	600	490	510	340	230
3000	0	310	220	140	90	100	70	40
	1	600	560	350	240	250	170	110
	2	600	600	580	390	410	270	180
	3	600	600	600	450	470	320	210
3300	0	230	160	100	70	70	50	NS
	1	560	400	260	170	180	120	80
	2	600	600	440	300	310	210	140
	3	600	600	450	360	380	250	170
3600	0	170	120	80	50	50	NS	NS
	1	410	300	190	130	130	90	60
	2	600	530	340	230	240	160	110
	3	600	600	430	290	300	200	130

NOTES

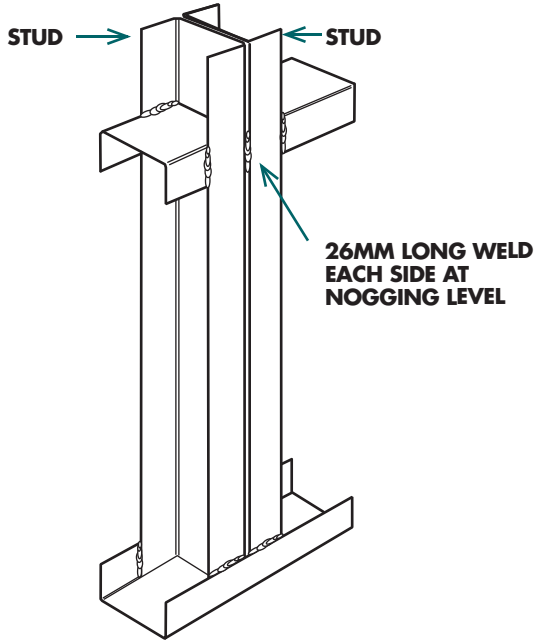
1. Nogging to be evenly spaced.
2. Trusses located within 50mm of stud.
3. Truss reaction maximum of 15% of stud compression capacity (ϕN_c)
4. Table for external load bearing walls.

What is Met-TECH™?

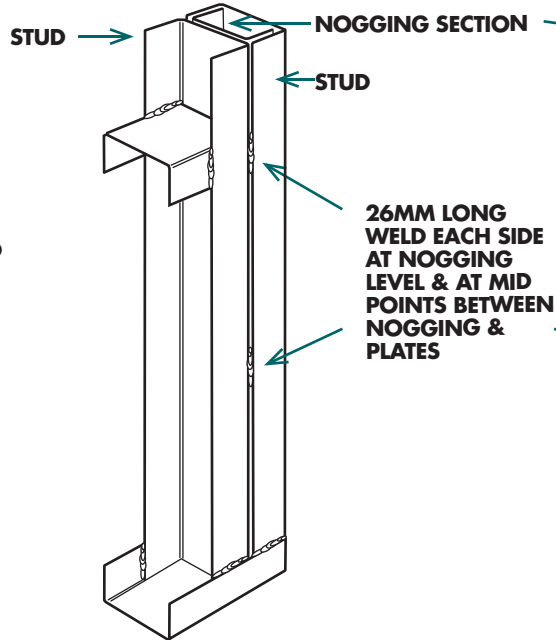
Met-TECH™ is Metroll's Technical Resource Centre. It is the one stop shop for all of Metroll's product and technical information. Perfect for builders, contractors and specifiers to source all the information they may require. You can find other Met-TECH™ items on our website www.metroll.com.au/resources

MULTIPLE STUD ARRANGEMENTS

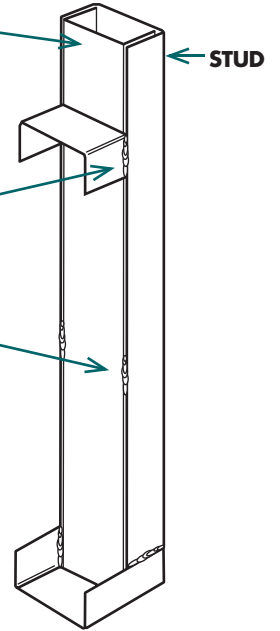
**2 STUDS
BACK TO BACK
NOGGING EACH SIDE**



**3 STUDS
COMBINATION
ADJACENT TO OPENING**

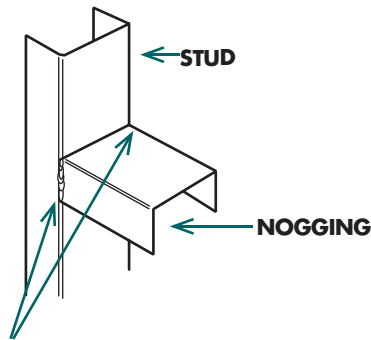


**2 STUDS
BOXED
ADJACENT TO OPENING**

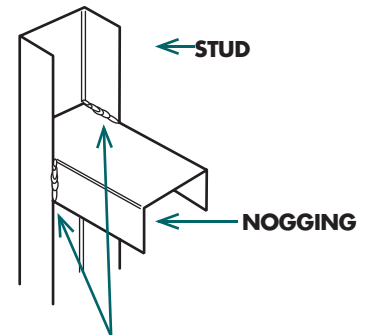


NOGGING FIXING

WELDED FRAMES

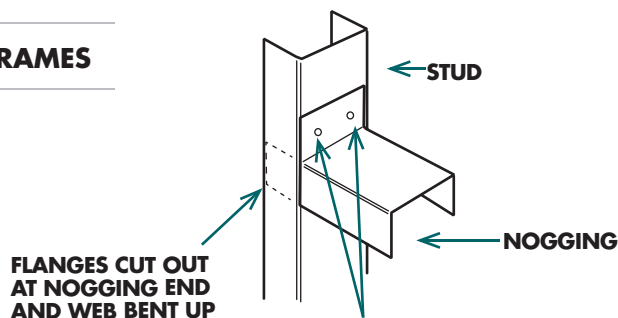


2x FILLET WELDS 12MM MIN. LENGTH. MAY BE INSIDE OR OUTSIDE NOGGING CHANNEL

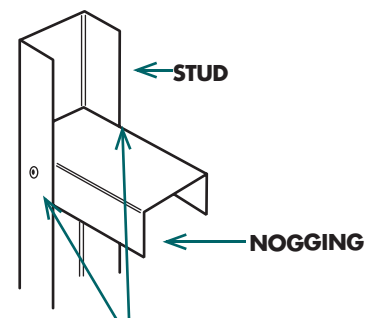


12MM MIN. LENGTH WELDS IN TWO PLACES

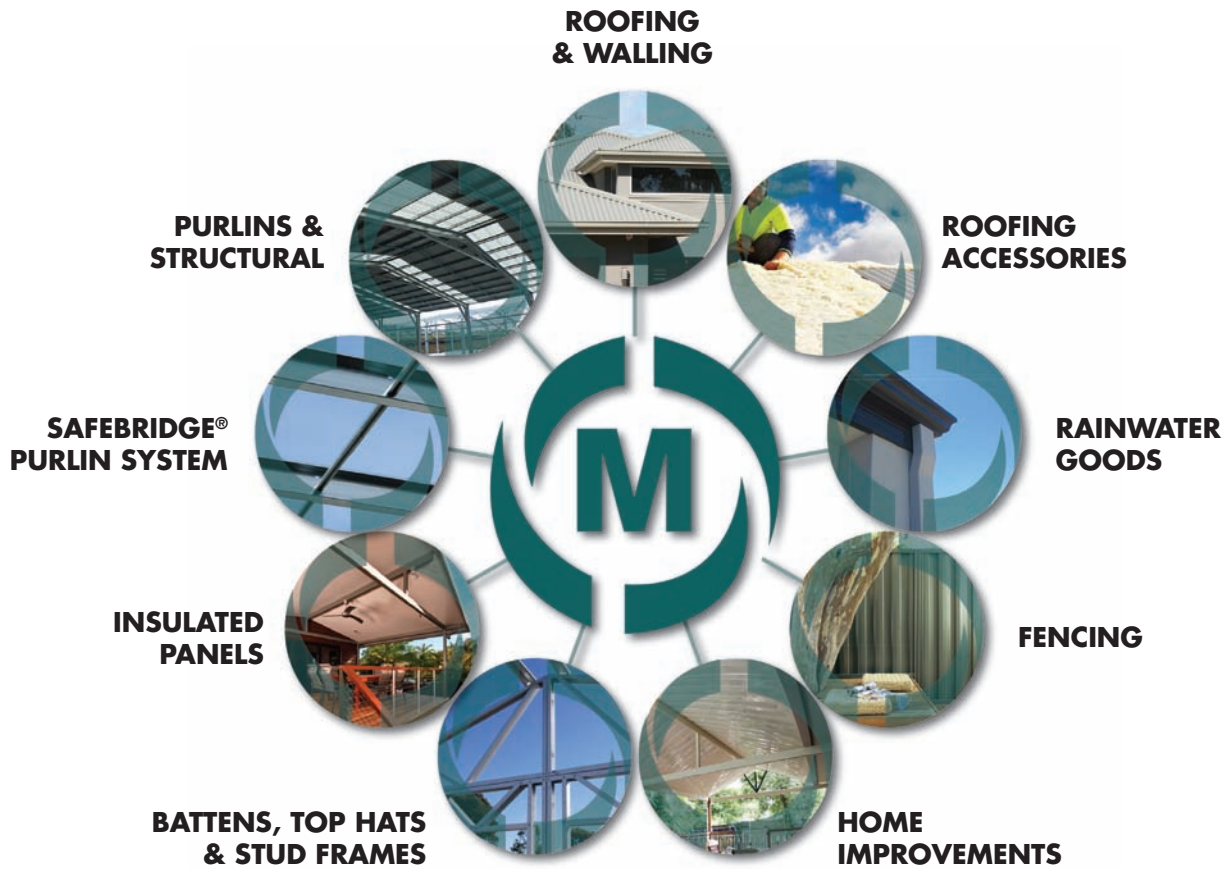
NON-WELDED FRAMES



2 x 4.8MM DIA. STEEL BLIND RIVETS OR NO.10 SELF-TAPPING SCREWS



Can we assist with any additional Steel Building Products?



QLD		NSW		VIC		TAS	
Cairns	07 4054 0888	Lismore	02 6622 6677	Preston	03 9480 3744	Launceston	03 6335 8555
Townsville	07 4779 8266	Tamworth	02 6765 4799	Laverton	03 8369 8300	NT	
Mackay	07 4968 1255	Newcastle	02 4954 5799	Geelong	03 5248 2006	Darwin	08 8935 9555
Rockhampton	07 4920 0900	Sydney	1300 766 346	Ballarat	03 5335 6416	WA	
Bundaberg	07 4155 5999	Dubbo	02 6883 4800	Pakenham	03 8710 9300	Perth	08 9365 5444
Toowoomba	07 4634 6144	Wagga Wagga	02 5924 4500	SA		Bunbury	08 9796 9796
Sunshine Coast	07 5493 7872	ACT		Adelaide	08 8282 3300	Albany	08 9841 6966
Brisbane	07 3375 0100	Canberra	02 6298 2777				

26 Metroll Branches Nationwide

visit our new website
metroll.com.au



Metroll Pty Ltd. ABN 97 001 446 439. All reasonable care has been taken in the compilation of the information contained in this brochure. All recommendations on the use of Metroll products are made without guarantee as conditions of use are beyond the control of Metroll Pty Ltd. It is the customers responsibility to ensure that the product is fit for its intended purpose and that the actual conditions of use are suitable. Metroll Pty Ltd. pursues a policy of continuous development and reserves the right to amend specifications without prior notice. The Metroll M and Logo are registered trademarks of Metroll Pty Ltd.

COLORBOND®, ZINCALUME®, GALVASPAN® steels are all registered trademarks of BlueScope Steel Limited.